

7.0" Internal Diameter
Width 3.50"



- Application - Switchgear Relay and Metering
- Frequency 50 - 400 Hz
- AC capability 75 - 4000 Amperes
- Insulation Class 0.6kV, 10kV BIL full wave
- Other ratios available
- Secondary terminals are brass screws No. 10-32 with one flatwasher, lockwasher, accessible from either side
- Approximate weight 30 lbs
- UL and cUL Certified per ANSI/IEEE C57.13 standard



ELECTRICAL SPECIFICATIONS

| CATALOG NUMBER | CURRENT RATIO (A) | RELAY CLASS | ANSI METERING ACCURACY CLASS AT 60HZ | | | | | TYPICAL SECONDARY RESISTANCE (OHMS @75C) | CURRENT RATING FACTOR @30C |
|----------------|-------------------|-------------|--------------------------------------|------|------|------|------|--|----------------------------|
| | | | B0.1 | B0.2 | B0.5 | B0.9 | B2.0 | | |
| ICT96001 | 50:5 | C5 | 4.8 | 4.8 | | | | 0.016 | 2.0 |
| ICT96009 | 75:5 | C10 | 2.4 | 4.8 | | | | 0.023 | 2.0 |
| ICT96010 | 100:5 | C15 | 2.4 | 4.8 | | | | 0.031 | 2.0 |
| ICT96003 | 150:5 | C20 | 0.6 | 1.2 | 2.4 | | | 0.042 | 2.0 |
| ICT96011 | 200:5 | C25 | 0.6 | 1.2 | 1.2 | | | 0.067 | 2.0 |
| ICT96012 | 250:5 | C36 | 0.6 | 0.6 | 1.2 | 2.4 | | 0.080 | 2.0 |
| ICT96013 | 300:5 | C40 | 0.6 | 0.6 | 1.2 | 1.2 | 2.4 | 0.100 | 2.0 |
| ICT96006 | 400:5 | C60 | 0.3 | 0.6 | 0.6 | 1.2 | 2.4 | 0.112 | 2.0 |
| ICT96014 | 500:5 | C75 | 0.3 | 0.3 | 0.3 | 0.6 | 1.2 | 0.165 | 2.0 |
| ICT96007 | 600:5 | C100 | 0.3 | 0.3 | 0.3 | 0.6 | 1.2 | 0.175 | 2.0 |
| ICT96015 | 750:5 | C100 | 0.3 | 0.3 | 0.3 | 0.6 | 0.6 | 0.280 | 2.0 |
| ICT96016 | 800:5 | C130 | 0.3 | 0.3 | 0.3 | 0.6 | 0.6 | 0.267 | 2.0 |
| ICT96017 | 1000:5 | C170 | 0.3 | 0.3 | 0.3 | 0.3 | 0.3 | 0.320 | 2.0 |
| ICT96008 | 1200:5 | C200 | 0.3 | 0.3 | 0.3 | 0.3 | 0.3 | 0.400 | 2.0 |
| ICT96018 | 1500:5 | C200 | 0.3 | 0.3 | 0.3 | 0.3 | 0.3 | 0.580 | 2.0 |
| ICT96019 | 1600:5 | C180 | 0.3 | 0.3 | 0.3 | 0.3 | 0.3 | 0.460 | 2.0 |
| ICT96004 | 2000:5 | C210 | 0.3 | 0.3 | 0.3 | 0.3 | 0.3 | 0.540 | 2.0 |
| ICT96020 | 2500:5 | C300 | 0.3 | 0.3 | 0.3 | 0.3 | 0.3 | 0.730 | 2.0 |
| ICT96005 | 3000:5 | C240 | 0.3 | 0.3 | 0.3 | 0.3 | 0.3 | 1.100 | 1.3 |
| ICT96021 | 3500:5 | C200 | 0.3 | 0.3 | 0.3 | 0.3 | 0.3 | 0.760 | 1.3 |
| ICT96002 | 4000:5 | C230 | 0.3 | 0.3 | 0.3 | 0.3 | 0.3 | 0.940 | 1.3 |
| ICT96022 | 5000:5 | C300 | 0.3 | 0.3 | 0.3 | 0.3 | 0.3 | 1.250 | 1.0 |

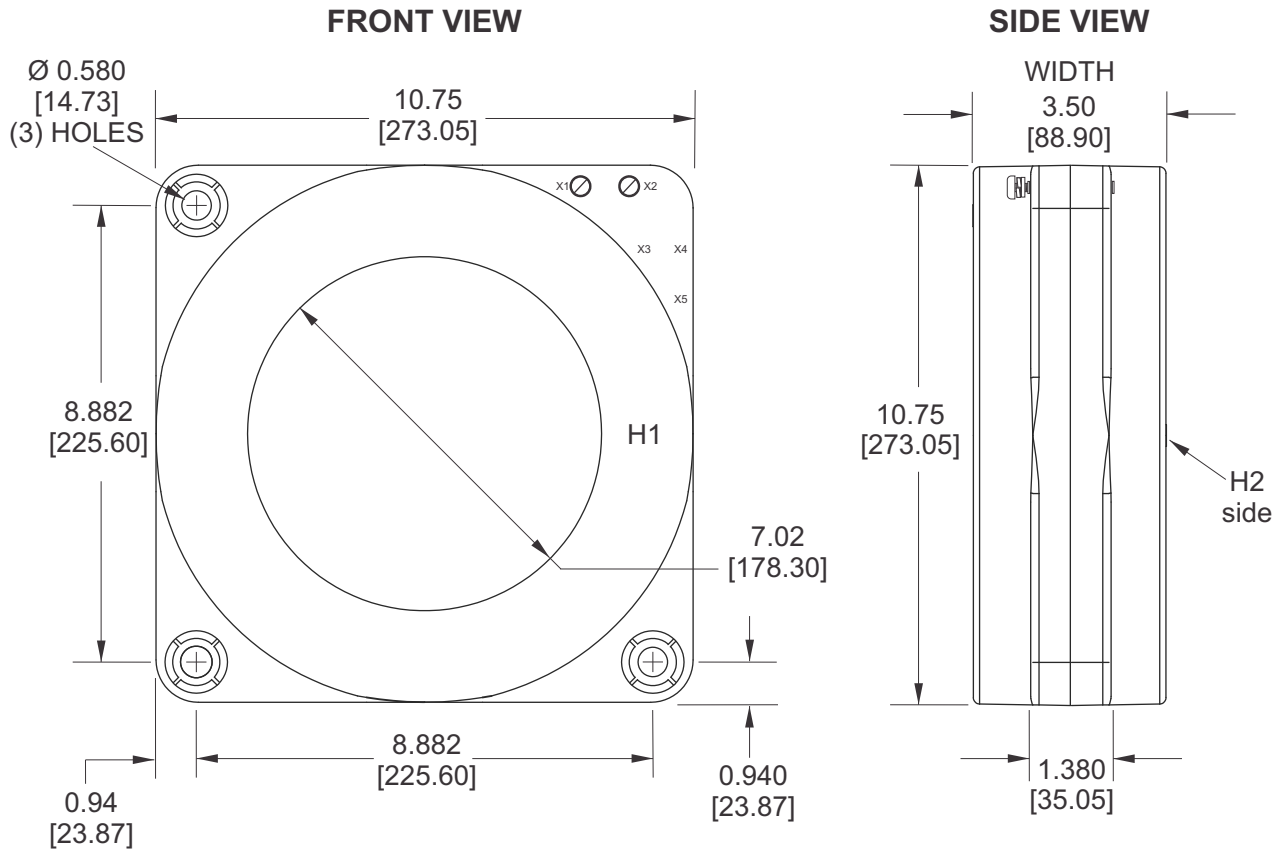
| CATALOG NUMBER | CURRENT RATIO (A) | RELAY CLASS | ANSI METERING ACCURACY CLASS AT 60HZ | | | | | TYPICAL SECONDARY RESISTANCE (OHMS @75C) | CURRENT RATING FACTOR @30C |
|----------------|-------------------|-------------|--------------------------------------|------|------|------|------|--|----------------------------|
| | | | B0.1 | B0.2 | B0.5 | B0.9 | B2.0 | | |
| ICT96023 | 250:1 | C210 | 0.6 | 0.6 | 1.2 | 2.4 | 4.8 | 0.900 | 3.0 |
| ICT96024 | 1200:1 | C640 | 0.3 | 0.3 | 0.3 | 0.3 | 0.3 | 6.200 | 2.0 |
| ICT96025 | 2500:1 | C800 | 0.3 | 0.3 | 0.3 | 0.3 | 0.3 | 10.660 | 1.0 |

INSTRUMENT CURRENT TRANSFORMER

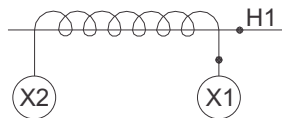
7.0" Internal Diameter
Width 3.50"



MECHANICAL SPECIFICATIONS

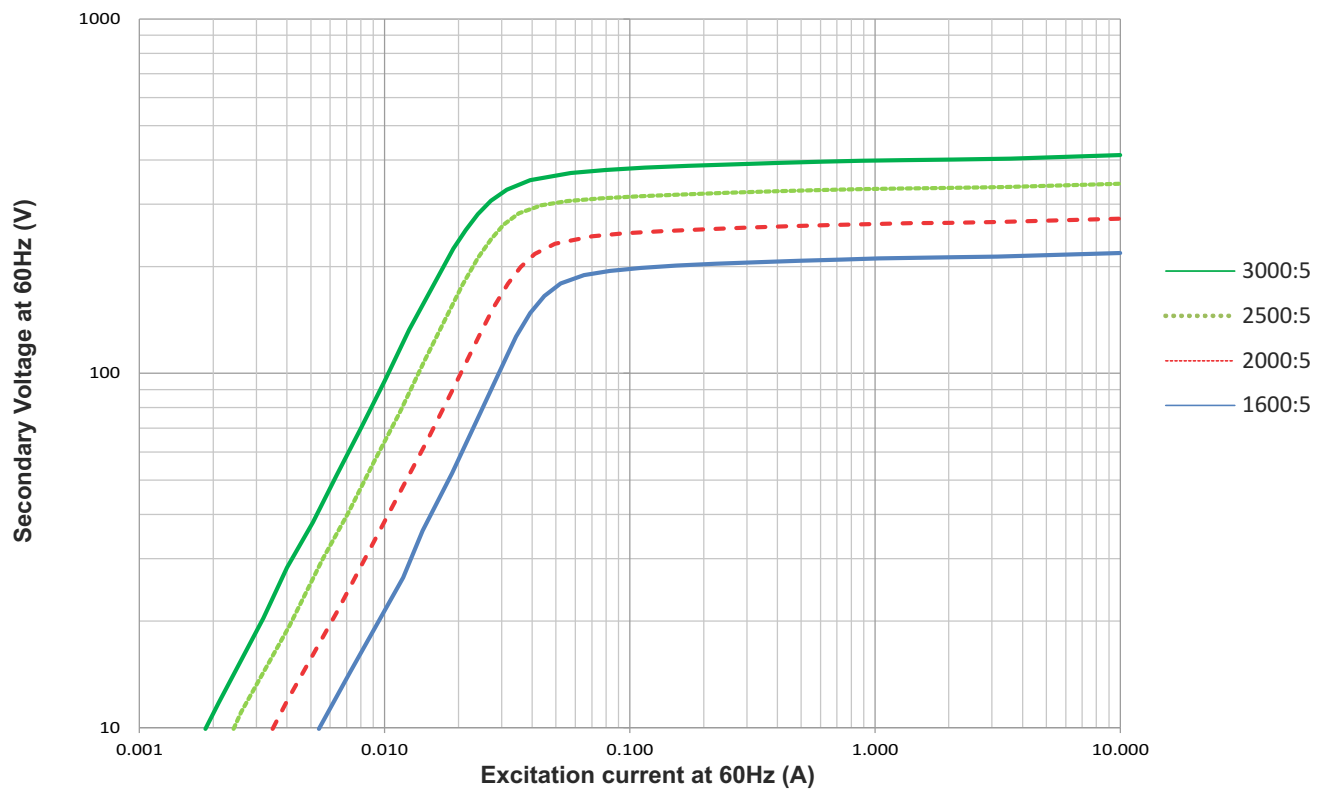
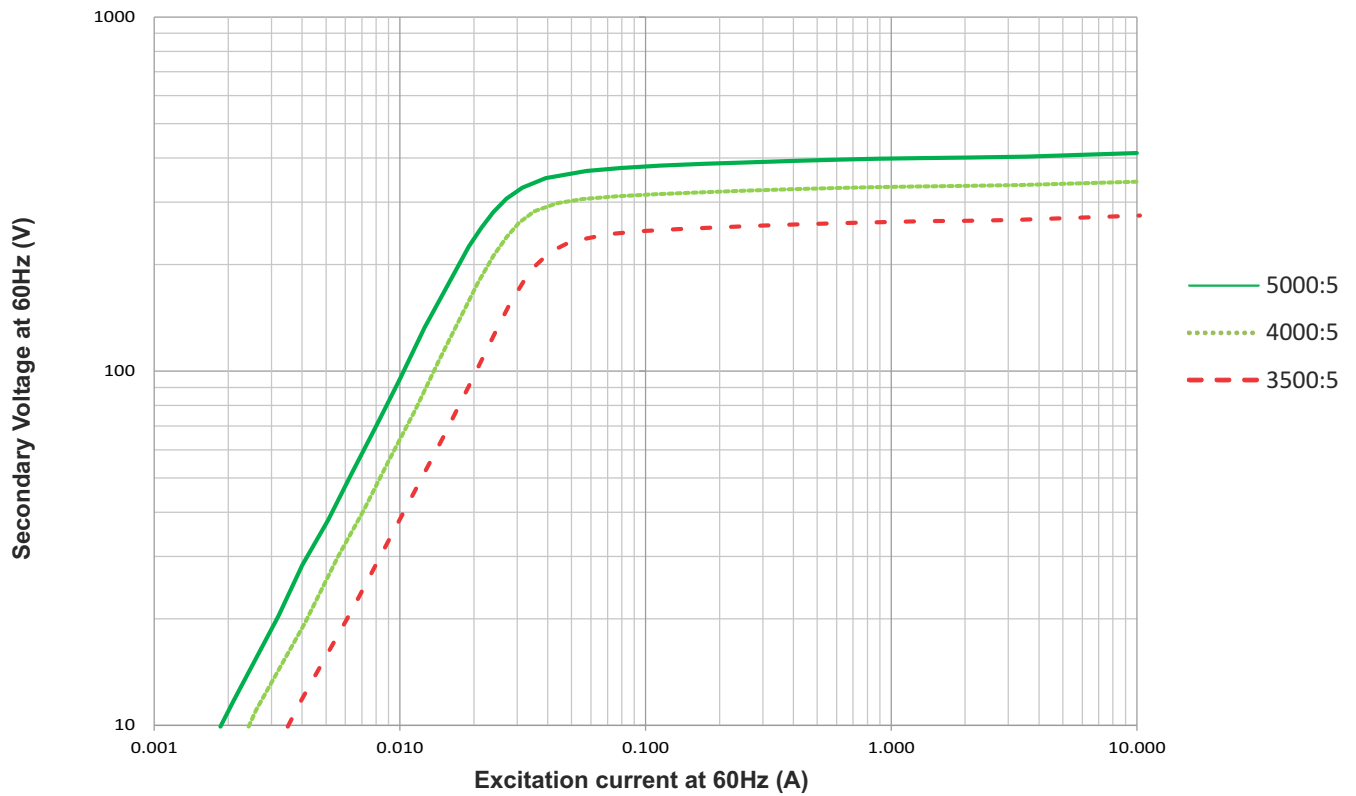


CONNECTION DIAGRAM



DIMENSIONS IN INCHES[MM]

Typical Excitation Curves



7.0" Internal Diameter
Width 3.50"

Typical Excitation Curves

