

6.50" Internal Diameter

Width 5.00"



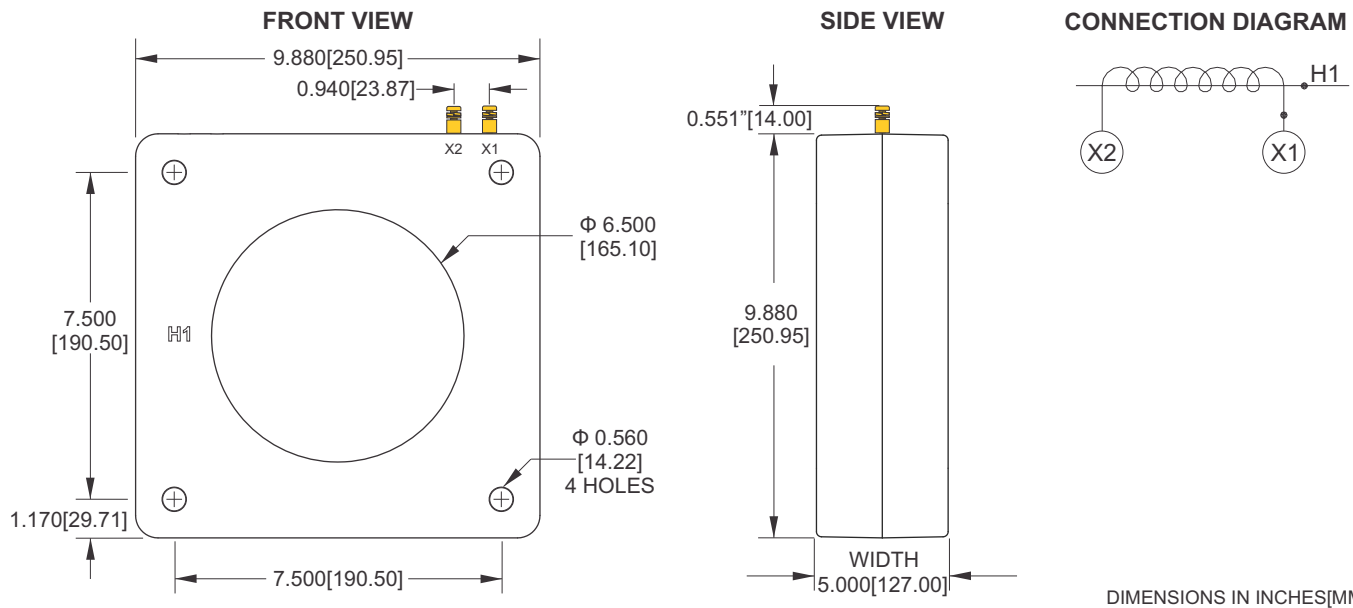
- Application - Relay and Metering
- Frequency 50 - 400hz
- AC capability 50 - 4000 Amperes
- Insulation Class 0.6kV, 10kV BIL full wave
- Other ratios available
- Secondary terminals are brass screws No. 10-32 with one flatwasher, lockwasher.
- Approximate weight 35 lbs
- UL and cUL Certified per ANSI/IEEE C57.13 standard



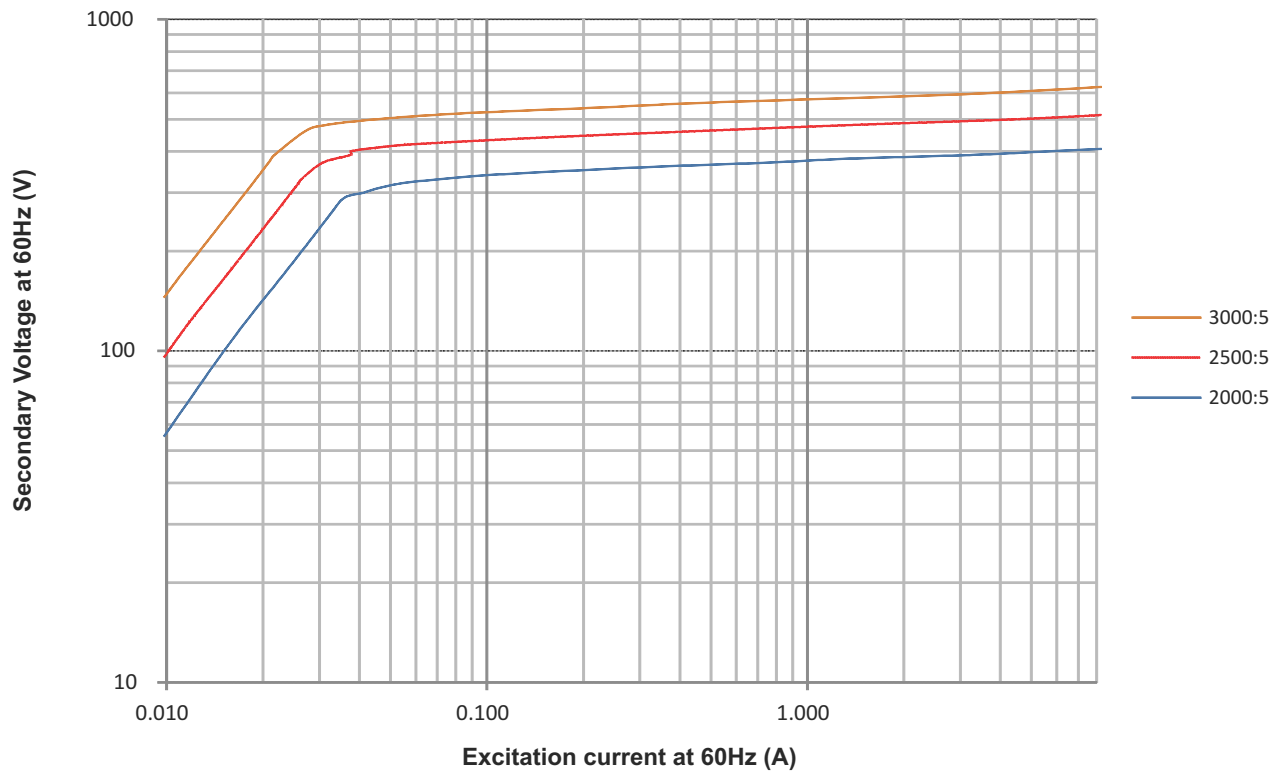
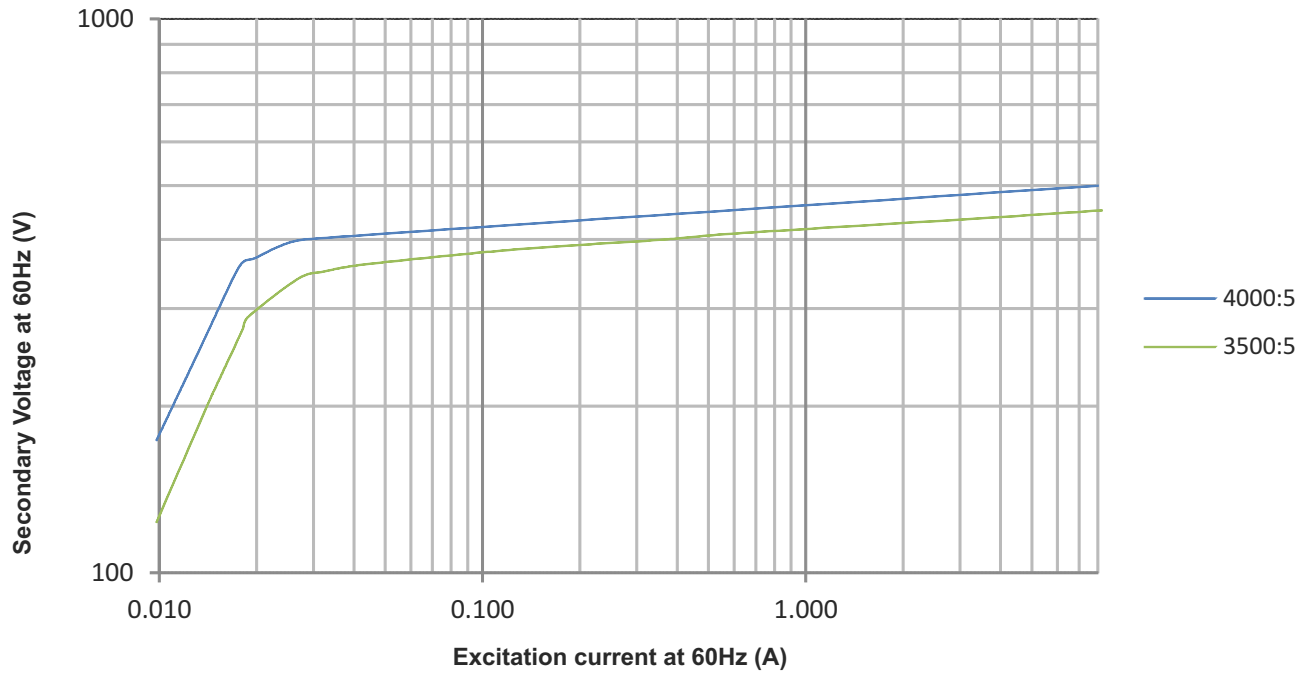
ELECTRICAL SPECIFICATIONS

CATALOG NUMBER	CURRENT RATIO (A)	RELAY CLASS	ANSI METERING CLASS AT 60HZ					SECONDARY WINDING RESISTANCE(OHMS @75C)	CURRENT RATING FACTOR @30C
			B0.1	B0.2	B0.5	B0.9	B1.8		
ICT87010	100:5	C20	1.2	2.4	4.8	4.8		0.08	2.0
ICT87011	200:5	C20	0.6	0.6	1.2	2.4	2.4	0.17	2.0
ICT87009	600:5	C100	0.3	0.3	0.3	0.3	0.6	0.52	2.0
ICT87006	800:5	C100	0.3	0.3	0.3	0.3	0.3	0.60	2.0
ICT87001	1200:5	C200	0.3	0.3	0.3	0.3	0.3	1.15	1.5
ICT87002	1500:5	C200	0.3	0.3	0.3	0.3	0.3	1.20	1.5
ICT87003	1600:5	C200	0.3	0.3	0.3	0.3	0.3	1.27	1.5
ICT87007	2000:5	C200	0.3	0.3	0.3	0.3	0.3	1.13	1.5
ICT87012	2500:5	C200	0.3	0.3	0.3	0.3	0.3	1.15	1.5
ICT87008	3000:5	C400	0.3	0.3	0.3	0.3	0.3	1.40	1.0
ICT87013	3500:5	C200	0.3	0.3	0.3	0.3	0.3	1.84	1.0
ICT87004	4000:5	C200	0.3	0.3	0.3	0.3	0.3	1.96	1.0

MECHANICAL SPECIFICATIONS



Typical Excitation Curves



6.50" Internal Diameter

Width 5.00"



Typical Excitation Curves

