

INSTRUMENT CURRENT TRANSFORMER



5.75" Internal Diameter, Multi-Ratio
Width 3.00"



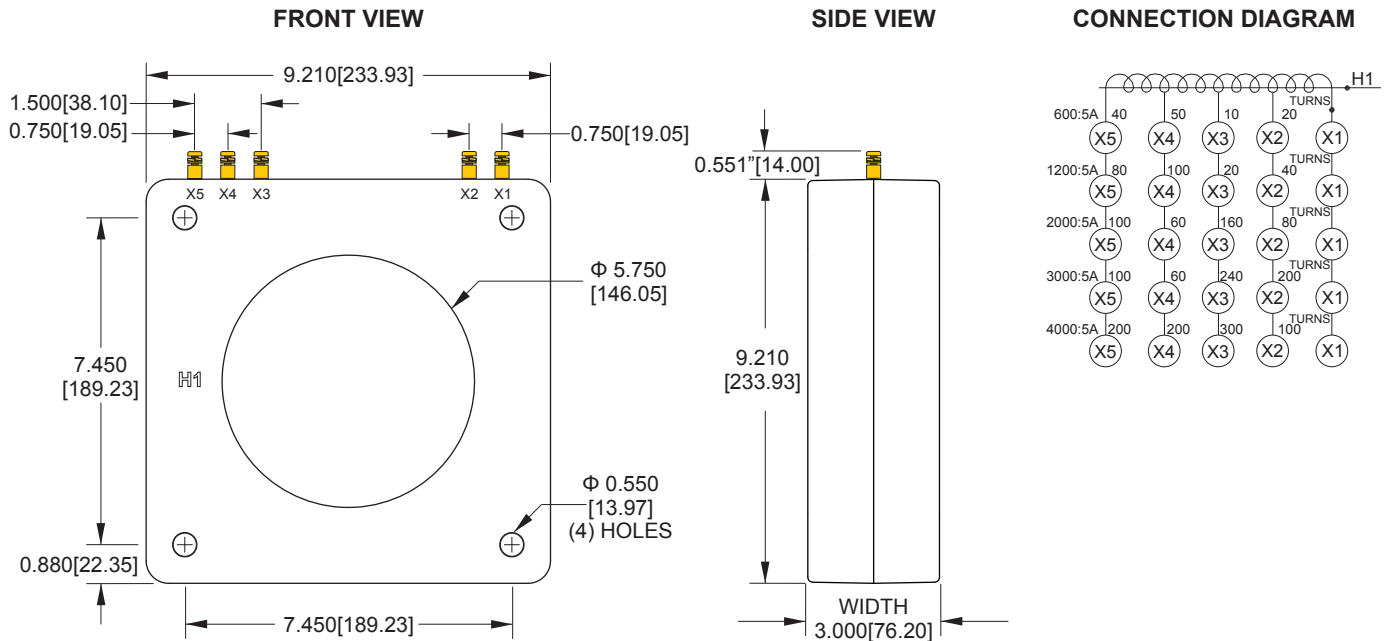
- Application - Switchgear Relay and Metering
- Frequency 50 - 400hz
- AC capability 600 - 5000 Amperes
- Insulation Class 0.6kV, 10kV BIL full wave
- Excitation curves upon request
- Secondary terminals are brass screws No. 10-32 with one flatwasher & lockwasher.
- Approximate weight 18 lbs
- UL and cUL Certified per ANSI/IEEE C57.13 standard



ELECTRICAL SPECIFICATIONS

CATALOG NUMBER	CURRENT RATIO (A)	RELAY CLASS	ANSI METERING CLASS AT 60HZ					SECONDARY WINDING RESISTANCE(OHMS @75C)	CURRENT RATING FACTOR @30C
			B0.1	B0.2	B0.5	B0.9	B1.8		
ICT82A18	600:5	C50	0.3	0.3	0.3	0.3	0.6	0.20	2.0
ICT82A02	1200:5	C100	0.3	0.3	0.3	0.3	0.3	0.53	1.5
ICT82A08	2000:5	C100	0.3	0.3	0.3	0.3	0.3	1.12	1.3
ICT82A04	3000:5	C200	0.3	0.3	0.3	0.3	0.3	1.48	1.0
ICT82A03	3200:5	C200	0.3	0.3	0.3	0.3	0.6	1.02	1.0
ICT82A01	4000:5	C200	0.3	0.3	0.3	0.3	0.3	1.69	1.0
ICT82A06	5000:5	C200	0.3	0.3	0.3	0.3	0.3	1.53	1.0

MECHANICAL SPECIFICATIONS



DIMENSIONS IN INCHES[MM]