

INSTRUMENT CURRENT TRANSFORMER

1.10 X 0.3" Rectangular Window

Width 2.20"



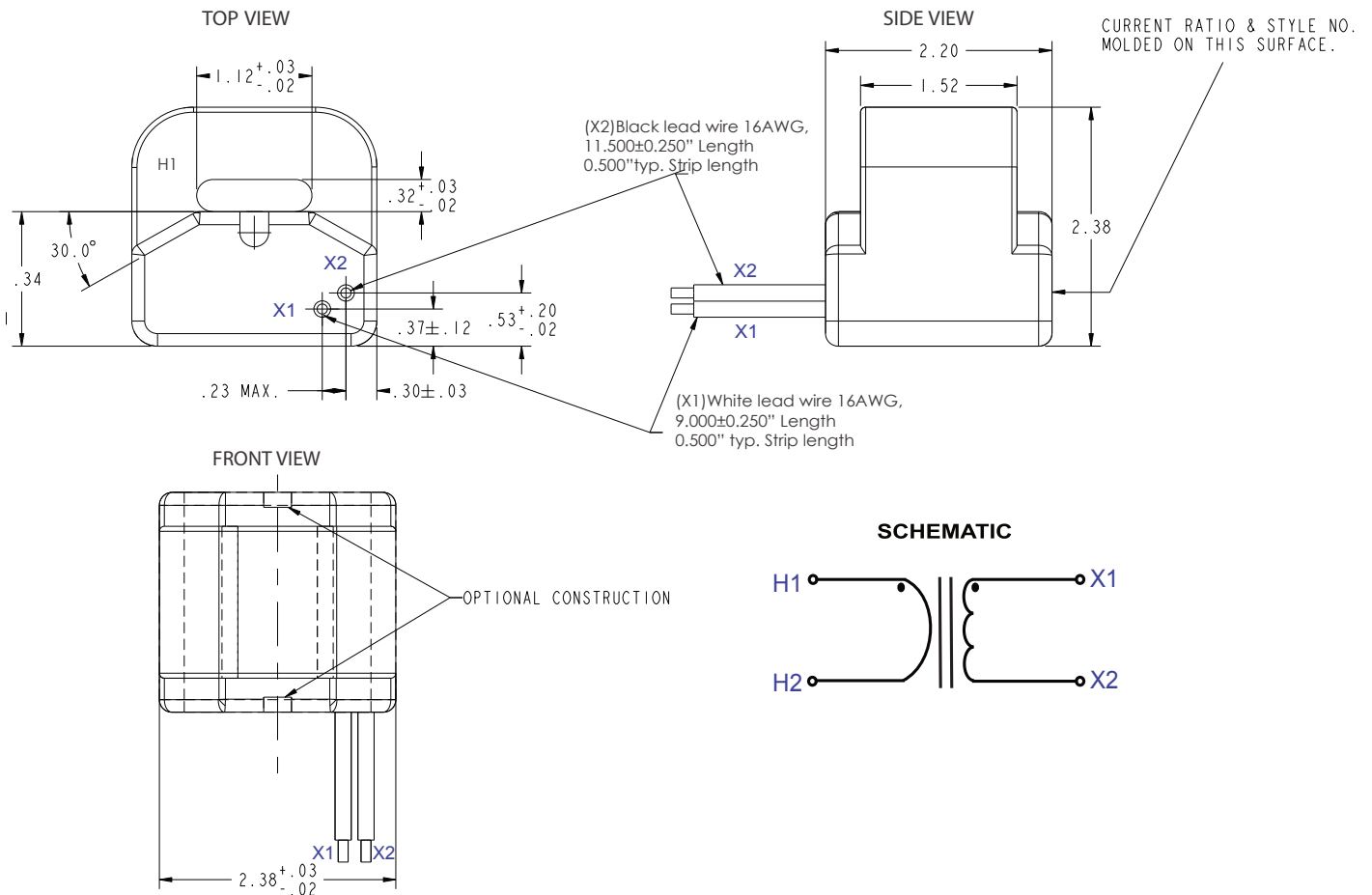
- Application - Metering
- Frequency 50 - 400hz
- AC capability 50 - 1000 Amperes
- Insulation Class 0.6kV, 10kV BIL full wave
- Other ratios available upon request
- Rating Factor: 1.0 @ 30C ambient
- Secondary leads are UL 1015 105 C, #16 AWG, 9" long
- Approximate weight 1.5 lbs
- UL and cUL Certified per ANSI/IEEE C57.13 standard



ELECTRICAL SPECIFICATIONS

CATALOG NUMBER	CURRENT RATIO (A)	ANSI METERING CLASS AT 60HZ					SECONDARY WINDING RESISTANCE(OHMS @75C)
		B0.1	B0.2	B0.5	B0.9	B1.8	
ICT22001	300:5	0.3	0.3	0.6			0.16

MECHANICAL SPECIFICATIONS



5.50" Internal Diameter
Width 5.00"



Typical Excitation Curves

